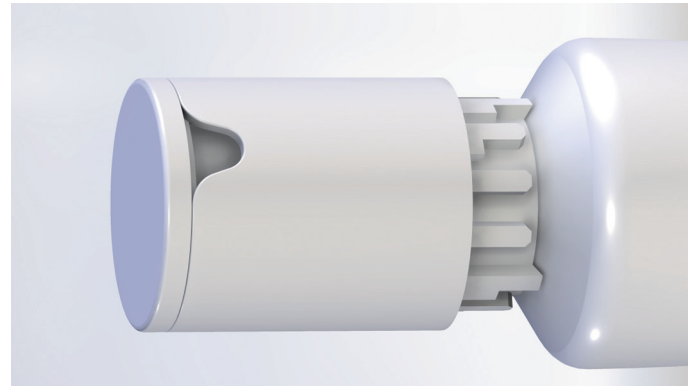
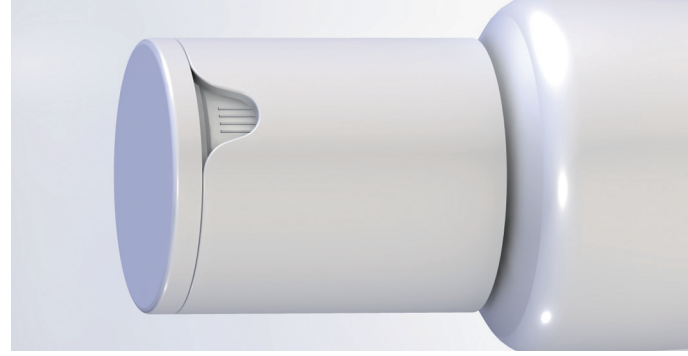


A new generation of tube dispenser TubeDose Linear

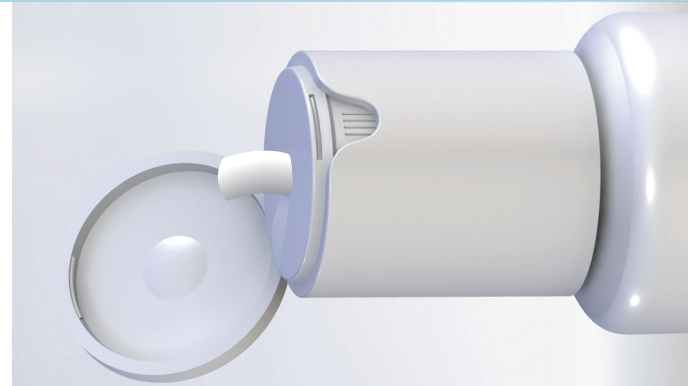
TubeDose is a dosing cap for tubes with an integrated quantity regulator for precise, simple and clean dosing of viscous substances.

The desired strand length is variably adjusted on a numbered scale and can be firmly locked.

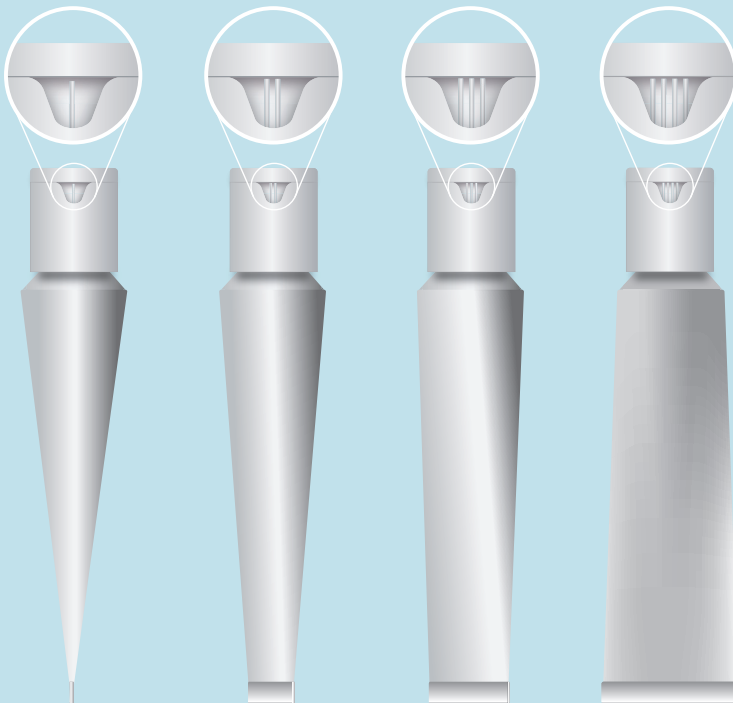
Exact volume extraction in three steps with TubeDose Linear



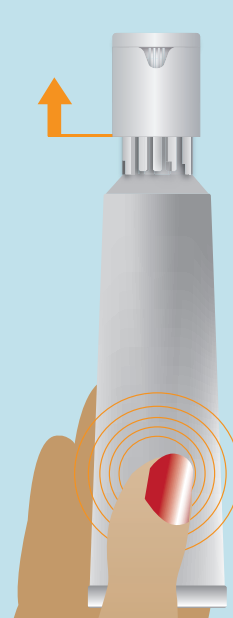
TubeDose Linear *a new generation of tube dispenser.*



1. Select the quantity by setting the recommended dose on the quantity scale accordingly.



2. Press the tube to fill the dose chamber precisely with the set quantity. In parallel the dosing cap moves upwards.



3. Dispense the product by opening the lid and pushing down the dosing cap to its initial position.

